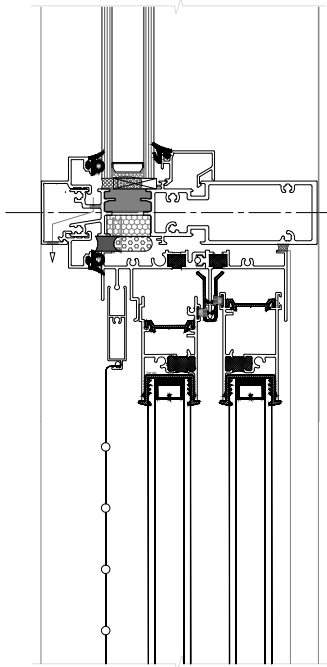


2 **Head DETAIL @ Sliding Door**  
SCALE: 1:3  
ARCH. REF.: 5/A-723



1 **Sill DETAIL @ Sliding Door**  
SCALE: 1:3  
ARCH. REF.: 5/A-723

